



**Gewässer
Umwelt
Schutz**
GmbH



GUS *Foot* installation systems

GUS *Foot* Base and Plus system

GUS *Foot* customised solution

GUS *Foot* Light

Made in Germany

GUS *Foot*-installation systems – Made in Germany

For 15 years, GUS Gewässer-Umwelt-Schutz GmbH has been offering you comprehensive solutions with safety collection systems in the cooling and air conditioning technology segment to meet legal requirements.

Our qualified field service is, if needed, for you in Germany, Belgium, the Netherlands, Luxembourg, the Czech Republic, Denmark, Poland, Austria, Switzerland and other European countries.

High quality at fair prices

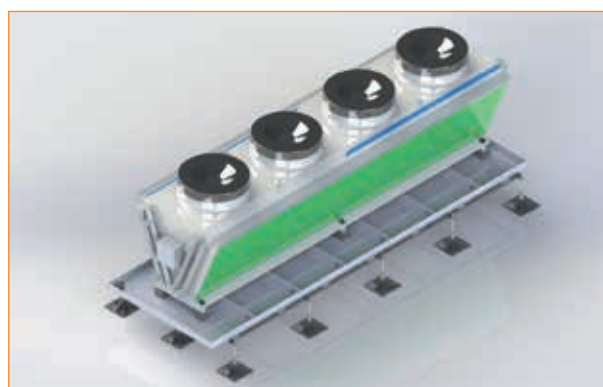
If you don't want to compromise on quality but also want to keep an eye on costs, GUS is exactly right for you. At our site in Nordhorn skilled workers produce suitable systems for customer-specific applications. An ongoing development, also in the area of accessories, as well as a continuous reflection within the team on the results guarantees precision work in every detail and an optimal price-performance ratio.

The following pages provide an overview of our **GUS *Foot*** installation systems.

You have an idea of your own and questions about feasibility?

Give us a challenge. We look forward to meeting you. We would be delighted to discuss the best possible solution in a personal conversation directly on site.

Your  team



Content

- 3 **GUS *Foot*** installation systems – Made in Germany
- 4 **GUS *Foot*** installation systems Base und Plus
- 6 **GUS *Foot*** customised solution
- 7 **GUS *Foot*** *Light* installation system
- 9 GDS vibration dampers / GTT 320 line career / GAB 800 installation block

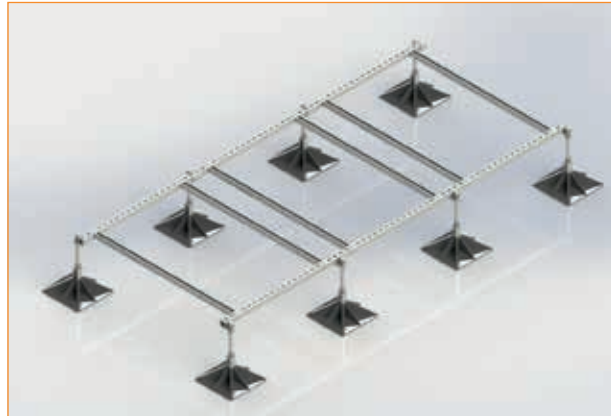
GUS *Foot* installation systems enable quick, versatile and economical solutions for installing technical building equipment systems.

Our **GUS *Foot*** systems will astound you with their functionality and robust design, having been developed to make installation by your fitters easier and quicker. By using **GUS *Foot*** installation systems, whether the base model or a custom-made item, they offer you the chance to be able to effectively and flexibly plan and carry out your projects without roofers or steel constructors.

For each request you automatically receive a wind load calculation with the production drawing

GUS *Foot* Systems offer a high level of flexibility and adaptability so that they can be very well adapted to local conditions. On flat roofs, the installation systems can be mounted without damaging the roofs due to their special feet.

Alongside products for installing technical building equipment systems, we also offer installation **GUS *Foot*** systems for cable runs, ventilation ducts, pipelines and high-quality vibration dampers made of SBR recycled rubber in different sizes.



Advantages:

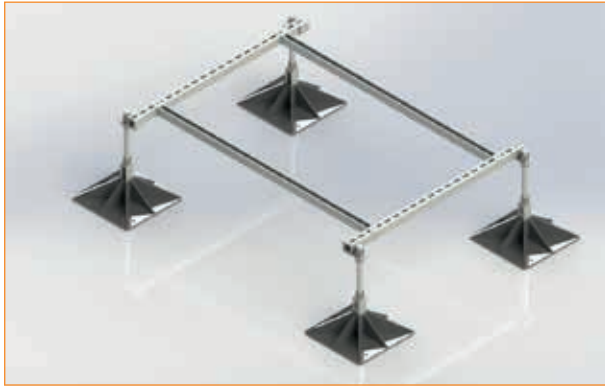
- Quick, simple and safe solution for installing cooling, air-conditioning and ventilation systems
- Robust and safe
- Manufactured entirely in Germany
- Cost and time-effective assembly
- Versatile modular frame construction
- Customized configuration available
- Indicating the wind zone and roof height values
- Minimizes the injury of roof cladding
- Enables flexible project planning

Item GUS <i>Foot</i>	Complete leg group	Bracket Set	Longitudinal strut length mm	Longitudinal strut cross mm	Total length max. with feet mm	Module weight kg	Load max. kg
Light	4	2	1.000	1.000	1.150	5	200
Base	4	2	1.000	1.200	1.645	32	800
Base + 1 Plus	6	4	2.000	1.200	1.645	54	1.600
Base + 2 Plus	8	6	3.000	1.200	1.645	78	2.400
Base + 3 Plus	10	8	4.000	1.200	1.645	101	3.200
Base + 4 Plus	12	10	5.000	1.200	1.645	124	4.000
Base + 5 Plus	14	12	6.000	1.200	1.645	148	4.800

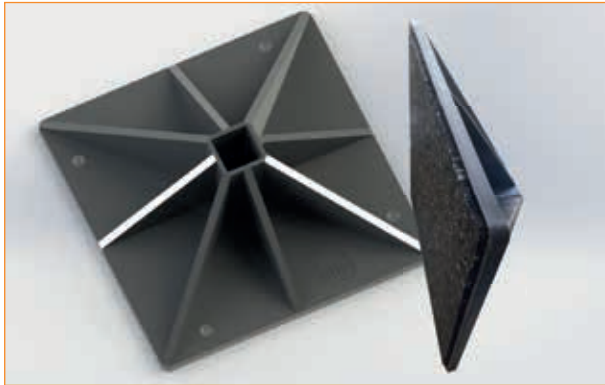
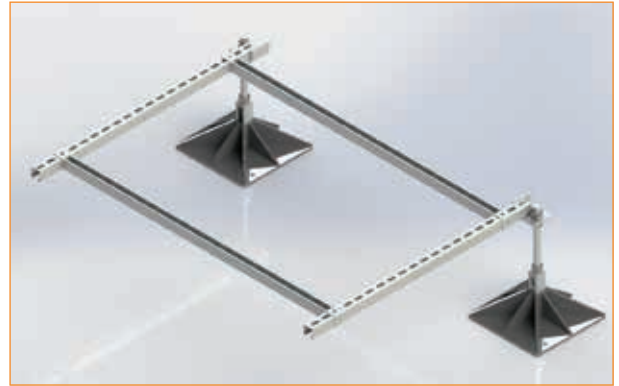
Optionally customisable

Customised solution designs based on customer.

GUS Foot Base

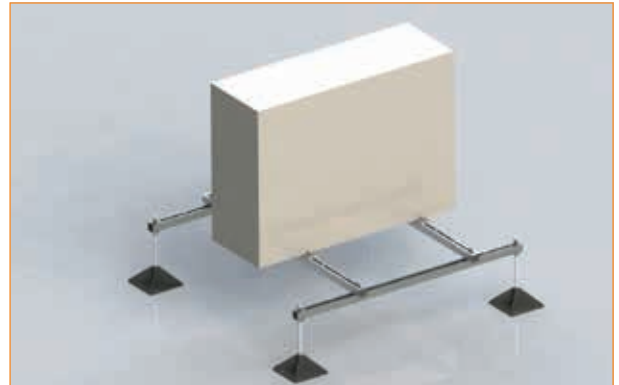


GUS Foot Plus



GUS Foot Feet with anti-vibration pads

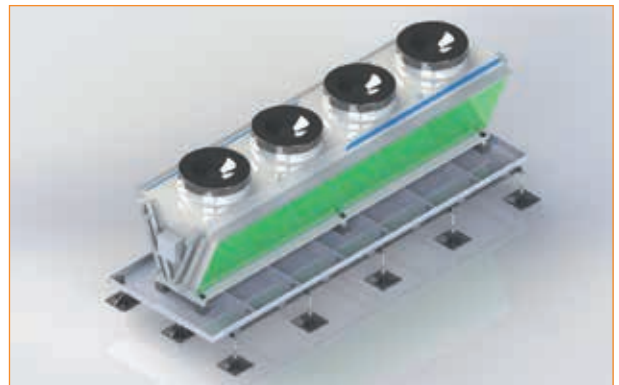
GUS Foot Light



GUS Foot customised solution



A customised solution with CUW standard

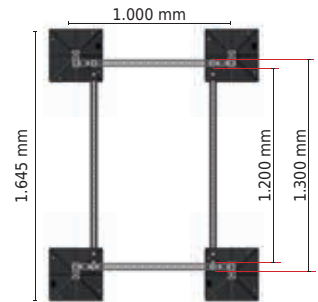


GUS Foot customised solution for chillers with custom-built CUW oil protectors

GUS *Foot* installation system Base

- 2 x 1 m longitudinal struts 40 x 40 mm
- 2 x 1,2 m cross struts 40 x 40 mm incl. screw
- 4 x complete legs 320 mm incl. screw, damping mat and threaded bar
- 4 x connecting brackets incl. screw

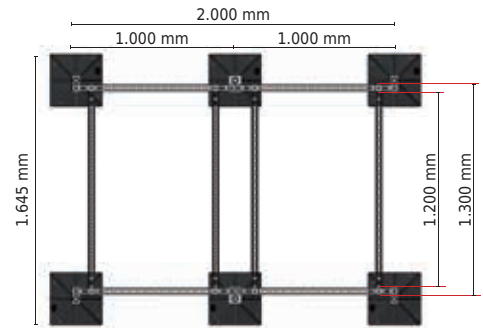
Module-weight: 32 kg
 Max. load: approx. 800 kg



GUS *Foot* installation system Base + 1 Plus

- 4 x 1 m longitudinal struts 40 x 40 mm
- 4 x 1,2 m cross struts 40 x 40 mm incl. screw
- 2 connectors for longitudinal struts
- 6 x complete legs 320 mm incl. screw, damping mat and threaded bar
- 6 x connecting brackets incl. screw

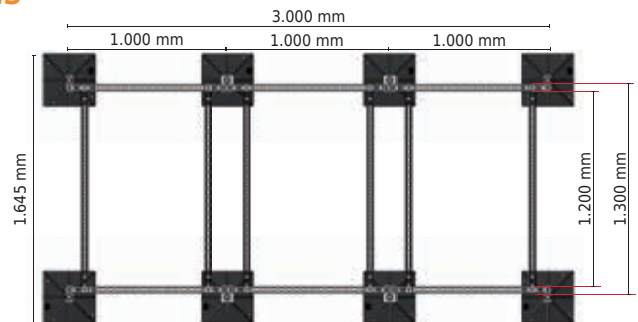
Module-weight: 54 kg
 Max. load: approx. 1.600 kg



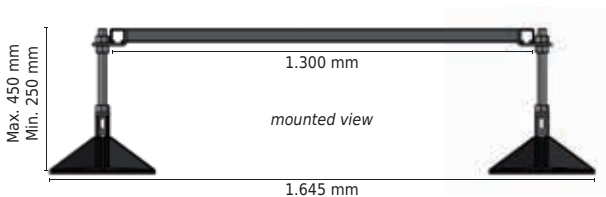
GUS *Foot* installation system Base + 2 Plus

- 6 x 1 m longitudinal struts 40 x 40 mm
- 6 x 1,2 m cross struts 40 x 40 mm
- 4 x connectors for longitudinal struts
- 8 x complete legs 320 mm incl. screw, damping mat and threaded bar
- 8 connecting brackets incl. screw

Module-weight: 78 kg
 Max. load: approx. 2.400 kg



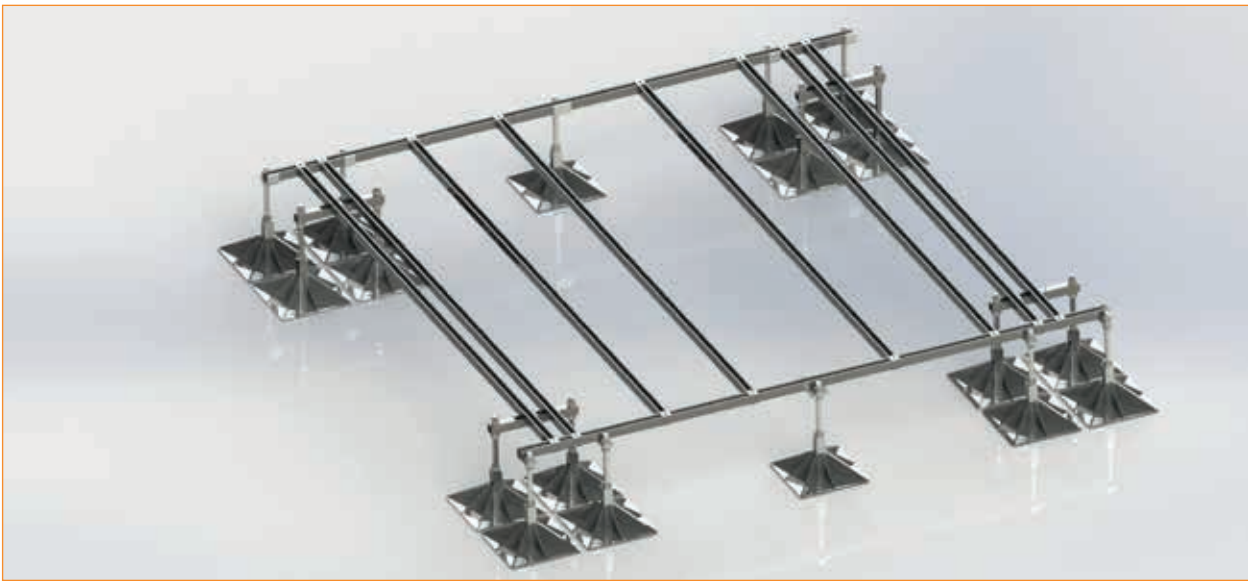
GUS *Foot* installation system - Side view



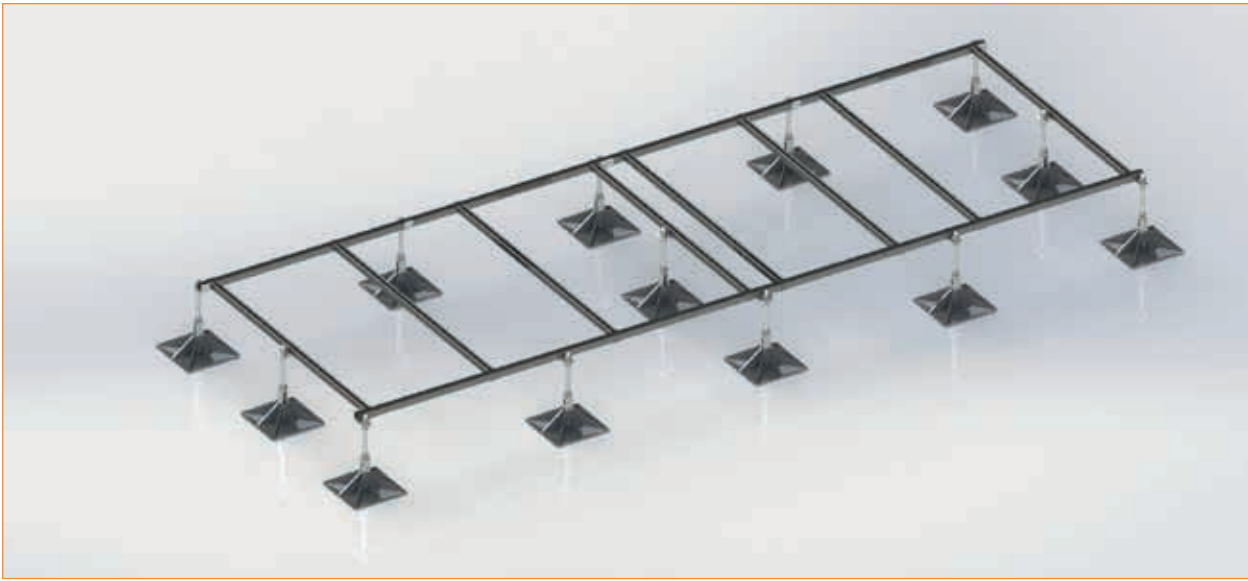
Customised solution:

We are happy to realise your projects with custom sizes, so please contact us.

Technical information	GUS Foot installation system
Material	Body: S235 JR galvanised; Base: PP black + damping mat
Manufacture	Welding according to DIN EN ISO 9606-1



GUS Foot customised solution for chillers



GUS Foot customised solution with additional support for the crossbars

GUS Foot Light installation system

The GUS Foot Light installation system has been developed for cost-effective, easy but professional solutions for the installation of smaller building facilities.

The 5 kg aluminium installation system with galvanized screw connections are convincing due to the light weight and a load capacity of up to 200 kg.

Exact centimeter scaling on all aluminum struts is only a special aid for your setup with the GUS Foot Light.



GUS Foot Light

Advantages:

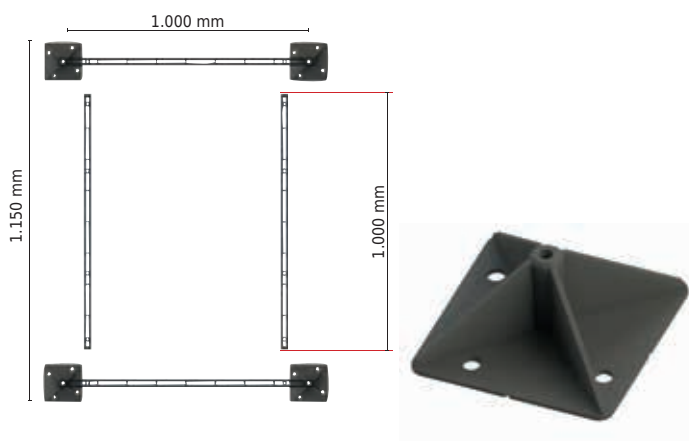
- Quick, simple and safe solution for installing cooling, air-conditioning and ventilation systems
- Light construction
- Easy transportation
- Cost and time efficient assembly
- Minimizes the injury of roof cladding



Exact centimeter scaling on all GUS Foot Light struts

- 2 x 1 m longitudinal struts 30 x 30 mm
- 2 x 1 m cross struts 30 x 30 mm
- 4 x feet 150 x 150 mm
- 4 x threaded rods and screw set made of galvanized steel
- 4 x Lock screw sets for fixing the system

Module-weight: 5 kg
 Max. load: 200 kg at loaded points of 800 x 800 mm



Item	Complete leg group	Bracket Set	Longitudinal strut length mm	Longitudinal strut cross mm	Total length max. with feet mm	Module weight kg	Load max. kg
GUS Foot Light	4	2	1.000	1.000	1.150	5	200

Technical information

GUS FootLight installation system

Material

Aluminium frame
Screw connection: Galvanized steel
Feet with anti-vibration pads



GUS FootLight with example system

GDS vibration dampers

Item	Height mm	Width mm	Length mm	Max. load per foot kg
GDS 240	95	190	240	160
GDS 400	95	190	400	240
GDS 600	95	190	600	450
GDS 1.000	95	190	1.000	645

Applications:

The GDS vibration dampers from the standard series are a practical and versatile installation solution for outdoor devices, pipe lines and ventilation ducts.

The vibration dampers have a 40 x 21 mm aluminum profile strip upon which devices, leads and ducts can be fastened with the help of the supplied screw sets.



GDS vibration dampers

GTT 320 line career for pipes and cables

- Contents:
 - 2 feet 320 x 320 mm
 - 2 fastening brackets incl. screw connection
- Optimum and economical solution for fastening pipes and lines
- Simple and quick installation anti-vibration pads on the feet
- The C profile is not included in the set, suitable for
- Standard C profiles 40 x 40 mm



GAB 800 installation block Installation system for submounting heavy devices

- Load capacity: 800 kg
- Flexibly adjustable
- Anti-vibration pads on the feet
- Feet in 4th set 320 x 320 mm
- Simple and quick assembly



GUS
Gewässer-Umwelt-Schutz-GmbH
Bentheimer Straße 300
48531 Nordhorn
Germany
T: 0049 5921 71347-0
info@oelprotektor.de
oelprotektor.de



Last amended: June 2020
Subject to change without notice. No liability is accepted
for errors or misprints.
Changes of this document is not permitted.