



**Gewässer
Umwelt
Schutz**
GmbH



Flat roof penetration

Product brochure

FDD Flachdachdurchführung/FDD flat roof penetration
FDF Flachdachfuß zur dampfdiffusionsdichten Anwendung /
FDF flat roof foot for vapour diffusion proof/tight application
FDS Serviceport

FDD Flachdachdurchführung/ FDD flat roof penetrations

Subsequent changes/modifications made to flat roofs usually cause damages to the membrane/the roofing. Therefore such modifications bear a high risk of immersive dampness and also cold bridges.

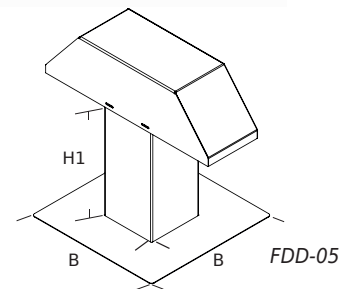
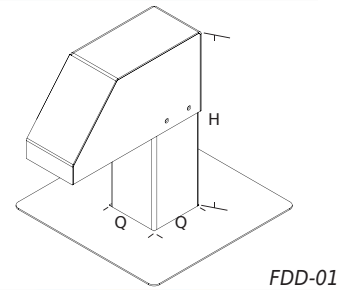
This is why it is important to start planning a flat roof only after considering all types of roof penetrations, also in view of future installations such as, for example, solar systems or photovoltaic units.

NOTE:

We would therefore recommend you to install sufficient FDD flat roof penetrations when you construct a flat roof.

FDD Flachdachdurchführung / FDD flat roof penetrations

- material: aluminium
- model: water-proof, welding model
- installation: roof sealing strips can be glued to the external wall of the flat roof penetration



article	hight H mm	hight H1 mm	cross-section Q mm	baseplate B mm	description
FDD-01	275	155	80 x 80	250 x 250	1 way out
FDD-02	600	400	125 x 125	550 x 550	1 way out
FDD-03	600	400	250 x 125	550 x 550	1 way out
FDD-04	600	400	500 x 125	680 x 550	1 way out
FDD-05	600	400	200 x 200	550 x 550	2 ways out

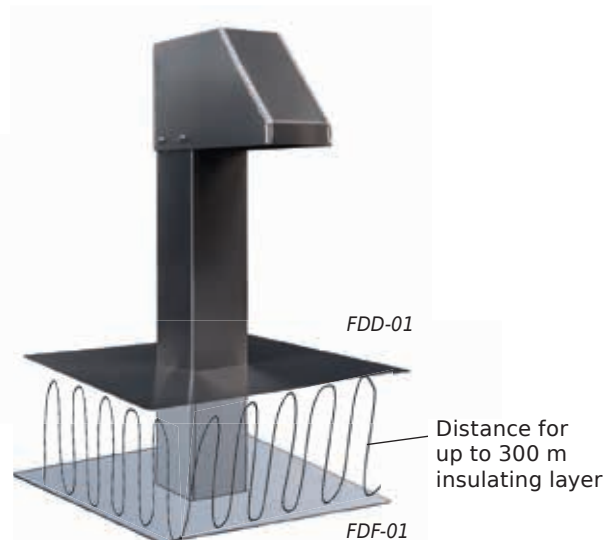
FDF Flachdachfuß zur dampfdiffusionsdichten Anwendung

FDF flat roof foot for vapour diffusions proof/tight application

Flat roof feet for vapour diffusion-proof/tight applications are suitable to flat roof penetrations and serviceports. It's an additional foot base. This further in-roof element reliably keeps the roof insulation safe from condensation water.

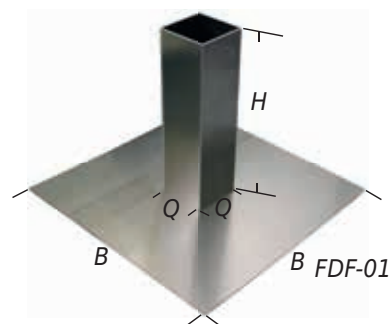
By using the flat roof foot an infiltration of condensation water to the isolation level will be prevented.

This is how a vapour diffusion proof roofing can be guaranteed.



FDF Flachdachfuß

- material: aluminium
- model: water-proof, welded model
- combination: adapted for isolation thickness up to 300 mm
- connections: in-roof and on-roof elements assembled without tools, quick and easy sealing



article	hight H mm	cross-section Q mm	baseplate B mm
FDF-01	155	72 x 72	250 x 250
FDF-02	400	117 x 117	550 x 550
FDF-03	400	242 x 117	550 x 550
FDF-04	400	492 x 117	680 x 550
FDF-05	400	192 x 192	550 x 550

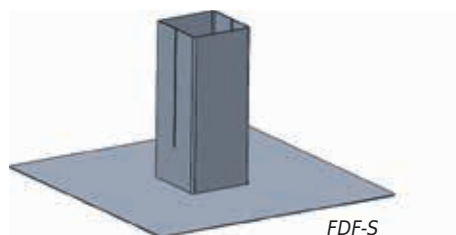
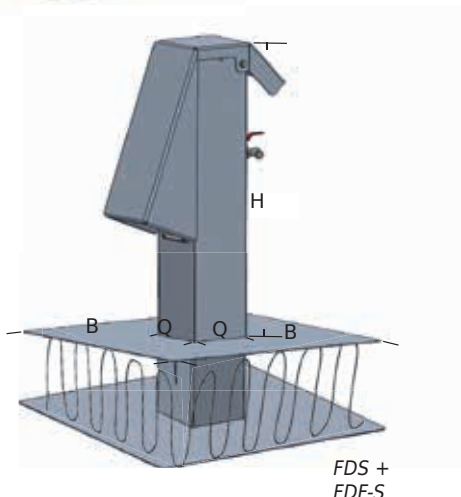
FDS Serviceport

As halls and other buidings are getting bigger and higher these days also the maintenance and repair work ist getting more and more complicated. In many cases the supply of water and electricity is not assured. So they need an access authorisation during their roof operation which can cause different/several risks: risk of stumping, risk of water damages, potential damages of the access lines and many more.

Our solution is the FDS Serviceport. The FDS Serviceport is a roof penetration with integrated power and water connections. This professional solution guarantees a clean tightning of the outer skin of a building. In combination with the flat roof foot the isolation is vapour diffusional pro- of sealed. The FDS Servicepoint offers integrated connections with foldaway covers for rain- and UV-protection.

FDS Serviceport

- material: aluminium
- model: water-proof, welded model
- connections: 1/2" water connection, 230 V schuko-plug socket and 400 V power socket upgradeable to vapour diffusion-tight if necessary



Artikel	hight H mm	cross-section Q mm	baseplate B mm
FDS	570	125 x 125	550 x 550

Additional on vapour diffusional-tight/proof construction:

FDF-S	400	121 x 121	550 x 550
--------------	-----	-----------	-----------

GUS Gewässer-Umwelt-Schutz GmbH
 Bentheimer Straße 300
 48531 Nordhorn
 T: 05921 713470
 info@oelprotektor.de
oelprotektor.de

